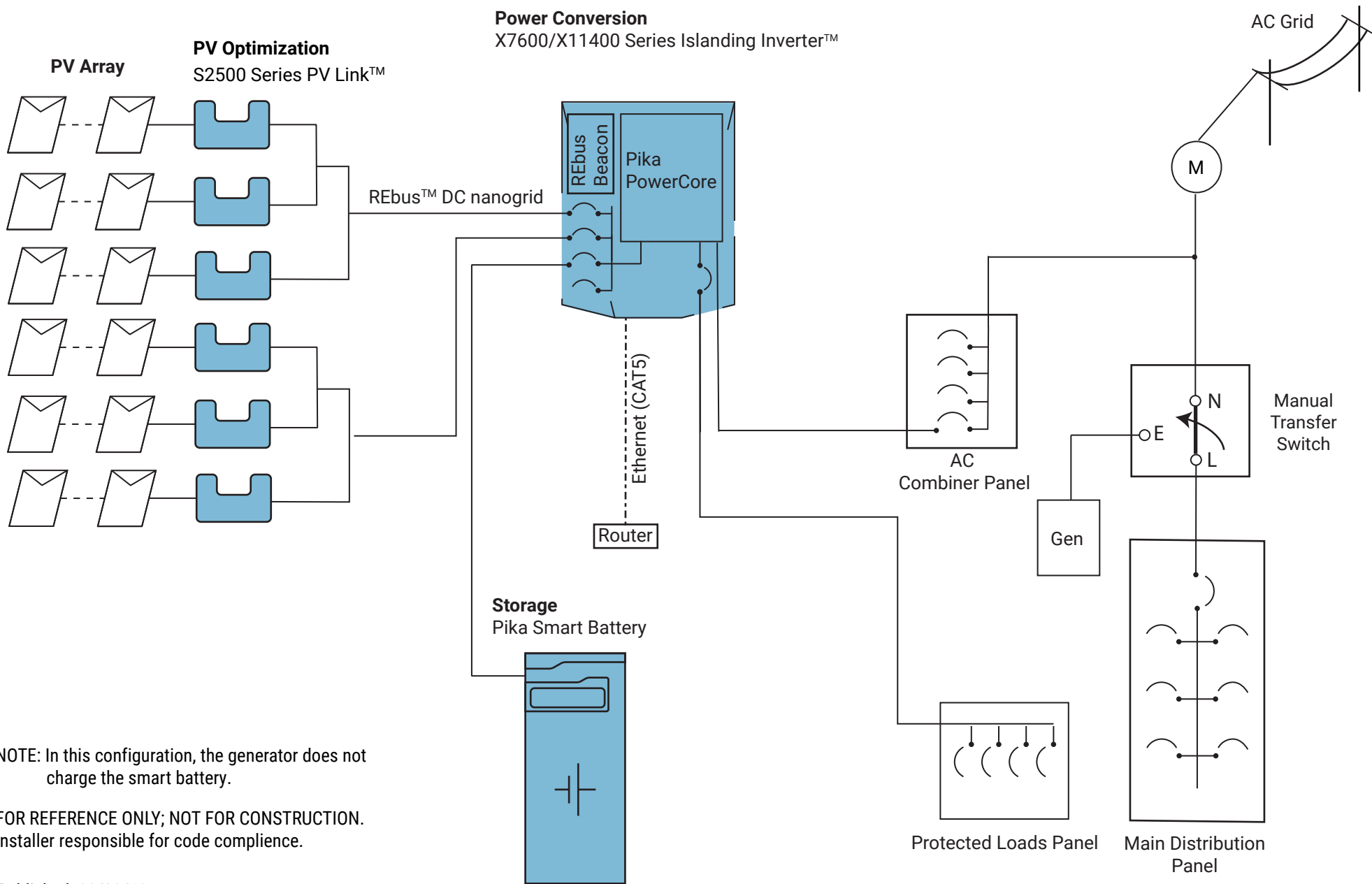


**Power Conversion**  
X7600/X11400 Series Islanding Inverter™



NOTE: In this configuration, the generator does not charge the smart battery.

FOR REFERENCE ONLY; NOT FOR CONSTRUCTION.  
Installer responsible for code compliance.

Published: 03/20/19

This design shows a Pika Energy Island system for a project with an existing generator. This design isolates the generator from the inverter. This installation involves a line-side tap and a manual transfer switch. The inverter output supports a loads panel (12 kW surge, 8 kW continuous). This configuration is acceptable with most 200A residential services.

**Existing Generator / Solar + Storage [2317-01]**

- 6 PV Links
- 1 REbus Beacons
- 1 Islanding Inverter
- 1 Pika Smart Battery

